

REV 8 PRIME

SPECIFICATION SHEET
ARCHI-COLOR® W+RGB

QUIET CEILING DESIGN HIGH LUMEN RECESSED DOWNLIGHT

Housing

Aperture : Ø9" | Oversize Trim : 9.13" | Ceiling Cutout : 8.25"
Maximum Ceiling Thickness : 1.5" | Height : 8.6"
Weight : 17.63 lbs/18.82 lbs (New Construction), 16.13 lbs (Retrofit)

Material

Housing : Forged Aluminum Heatsink
Reflector : Flow Forming Aluminum

Power Input

200W TypeA(White=100W, RGB=100W) | 120-277V
200W TypeB(White=150W, RGB=50W) | 120-277V

Lumen Output

13,250 lm (200W TypeA), 14,145 lm (200W TypeB)

Dimming

DMX : High resolution dims to 0.1%

Color Quality

CRI 85

Rated Life

> 100,000 Hours (L70)

Finish



Black



White

Color Temperature



3000K



Archi-Color® W+RGB

Optics



45°



55°



Wide

Warranty

5 Year limited warranty

Listing



Precision Engineered For High Performance.

8-inch aperture high lumen recessed downlight utilizing Meteor Lighting's proprietary Archi-Color® solution, that gives you True White light and unlimited RGB possibilities.

This product is compatible with all DMX control systems and follows ANSI E1.20 RDM protocol. You can now get white and RGB colors all from a single light source.



METEOR

meteor-lighting.com

SPECIFICATION

PROJECT NAME

DATE

CATALOG #

QUANTITY

The product configurator function on this page works only with the latest version of Chrome or Adobe Acrobat Reader.

<input type="text"/>	MODEL	R8PN REV 8 Prime with New Construction Frame	R8PR REV 8 Prime Retrofit
<input type="text"/>	WATTAGE	200A White=100W/RGB=100W	200B White=150W/RGB=50W
<input type="text"/>	CCT / CRI	308C 3000K + RGB / CRI 85 Archi-Color® W+RGB	
<input type="text"/>	VOLTAGE	120 120V	277 277V
<input type="text"/>	DIMMING	DMX DMX dims to 0.1% (XLR Sockets)	DMXR DMX dims to 0.1% (RJ45 Sockets) DMXP DMX dims to 0.1% (Terminal Block)
<input type="text"/>	BEAM ANGLE	45 45°	55 55° WD¹ Wide (With Diffuser)
<input type="text"/>	FINISH*	BLK Black	WHT White
<input type="text"/>	ACCESSORIES	DF² Diffuser GR14⁴ Goof Ring 9.2" to 16"	SPD³ Surge Protector SCA810⁵ Sloped Ceiling Adapter 8°-12° SCA815⁵ Sloped Ceiling Adapter 13°-17° SCA820⁵ Sloped Ceiling Adapter 18°-22° SCA825⁵ Sloped Ceiling Adapter 23°- 27° 2CPL⁶ 2' X 2' X 1" Custom Metal Ceiling Panel

CLEAR FORM

¹ WD option reduces delivered lumens by ~20%
² DF option reduces delivered lumens by ~12% (~20% with WD)
³ Surge protector for up to 10KV. Applicable for unstable mains or facilities using high power machineries
⁴ GR includes new reflector and is not compatible with R8PN
⁵ SCA is not compatible with R8PR
⁶ 2CPL is not compatible with R8PR, SCA810, SCA815, SCA820, SCA825
 * Finish indicates trim only, with standard matte silver reflector

TECHNICAL DETAILS**Electrical**

- 13,250 lm (200W TypeA | White = 100W, RGB = 100W)
14,145 lm (200W TypeB | White = 150W, RGB = 50W)
- Power Input : 120V or 277V
- Operating Temperature : -40°F~112°F
- Surge Protection : Built-in is 4KV
- Power Factor Greater than 0.9

LED Features

- Color Temperature : 3000K+Archi-Color® W+RGB
- CRI 85
- Long lasting LED luminaire tested under TM21 lumen maintenance L70 @ 100,000 Hrs

Optics

- Flow Forming Aluminum Reflector
- Beam Angle : 45°, 55°, Wide (With diffuser)

Advanced Dimming

- Proprietary VX Driver™ is integrated across all dimming options, delivering video flicker-free performance and full compliance with IEEE 1789.
- DMX : High resolution dims to 0.1% (Supports ANSI E1.20 RDM protocol)

New Construction Housing

- Aperture : Ø8.15" (New Construction), Ø9" (Retrofit)
- Height : 8.6"
- Weight : 17.63 lbs/ 18.82 lbs (New Construction), 16.13 lbs (Retrofit)
- Material : Forged Aluminum Heatsink
- Non-IC Rated, insulation must be kept >1ft from housing
- Oversize Trim : 8.46" (New Construction), 9.13" (Retrofit)
- Ceiling Cutout : 8.25"
- Maximum Ceiling Thickness : 1.5"
- Tool-less top access allows service from above and below
- Light engine, optics, and driver(s) accessible from below ceiling
- Goof Ring 14" : Aluminum, standard white finish; O. D. 16"; other size and finish available, please inquire

*Note : C-Channel / Mounting Channels / T-Bar Hangers are purchased from a third party

Warranty

- 5-year limited warranty

Listing

- ETL Damp Location Listed
- FCC
- CE
- UKCA

PERFORMANCE SUMMARY*

Lumen Performance				
	R	G	B	W
200W TypeA	615lm	4,075lm	480lm	8,080lm
200W TypeB	220lm	1,700lm	210lm	12,015lm

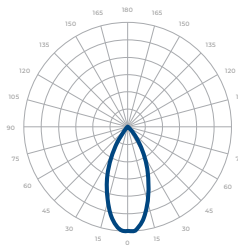
Wattage				
Channel	R	G	B	W
Fixture Wattage				
200W TypeA	33W	33W	33W	100W
200W TypeB	17W	17W	17W	150W

*Beam Angle: 45° *Tolerance ±8%

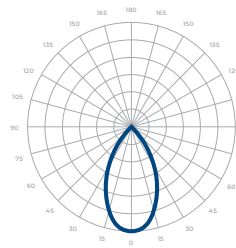
Current Consumption		
WATTAGE / VOLT	120V	227V
200W	1.8A	0.9A

PHOTOMETRICS

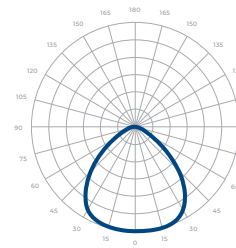
Below is a typical photometric representation of the Rev 8 Prime fixture. Please download IES files to ensure exact photometric value.



45°



55°



WIDE

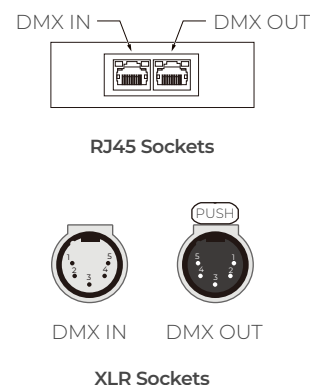
DMX REQUIREMENTS

The Rev 8 Prime Archi-Color® fixture with DMX is a **four channel dmx** unit. When placing an order, please indicate DMX address. (The DMX address will be listed on the back of the fixture). Do not connect more than 32 fixtures per DMX daisy chain.

DMX Address				
Fixture	Red Control (ex. X)	Green Control (ex. X+1)	Blue Control (ex. X+2)	White Control (ex. X+3)
#1	1	2	3	4
#2	5	6	7	8
#3	9	10	11	12

The fixture can be connected with RJ45 or XLR sockets. DMX cables **are not** included; please refer to compatible DMX cabling list for more information. The final fixture on each daisy chain should be terminated by the use of a DMX terminator purchased from a 3rd party or from Meteor.

CONNECTION	RJ45 (CAT5e)	5-PIN XLR
Common	WHITE/BROWN(PIN7) & BROWN (PIN 8)	PIN 1
Signal -	ORANGE (PIN 2)	PIN 2
Signal +	WHITE/ORANGE (PIN 1)	PIN 3
Spare	-	PIN 4
Spare	-	PIN 5



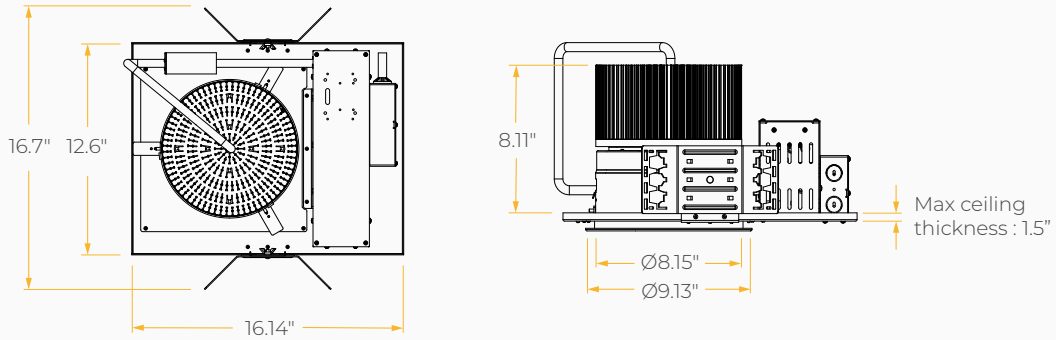
COMPATIBLE DMX CABLING LIST

DMX uses a cable consisting of two twisted pairs plus a shield to carry data. The cable must be specifically impedance matched for the digital DMX signal, meaning that microphone cable or other non-rated cable **must not be used to carry DMX**. Network cable (Cat5, 5e or 6 cable) may be used to carry DMX in an installation; however special consideration must be given to shielding and termination. Under no circumstances should solid core cable like Cat5 be terminated into a screw down connector.

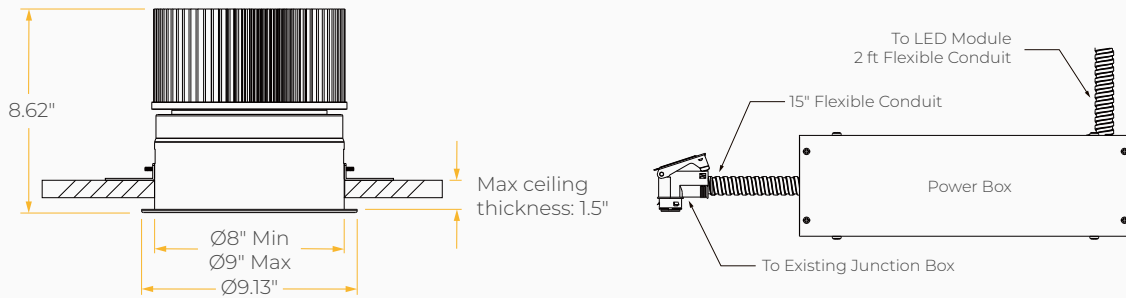
Meteor recommends the use of Belden 9729 or Belden 9841 for DMX installation. Belden 9729/9841 is a two pair cable, which allows for a spare pair for 'out and back' type terminations if needed.

DIMENSIONS

New Construction

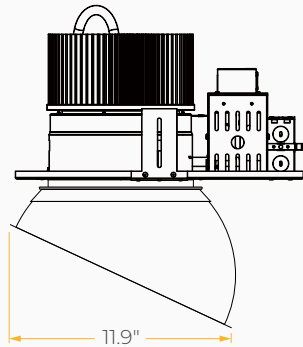


Retrofit

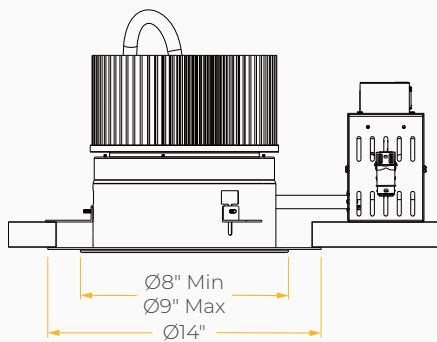


DIMENSIONS

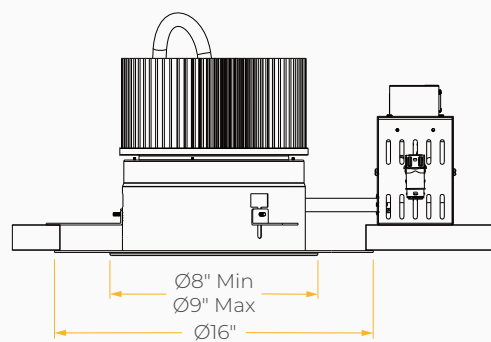
Sloped Ceiling Adapter



Goof Ring 12



Goof Ring 14



Custom Metal Ceiling Panel

